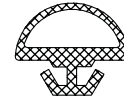
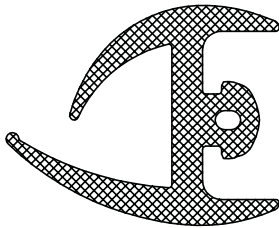


**425 136**  
921 gr / m  
6.5 m anod/brute

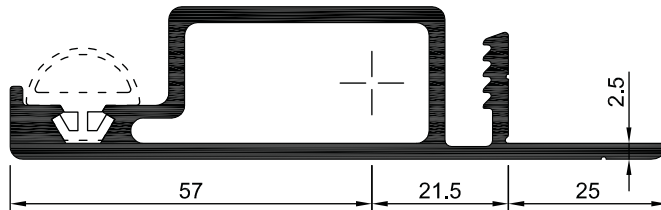
**425 135**  
983 gr / m  
6.5 m anod/brute



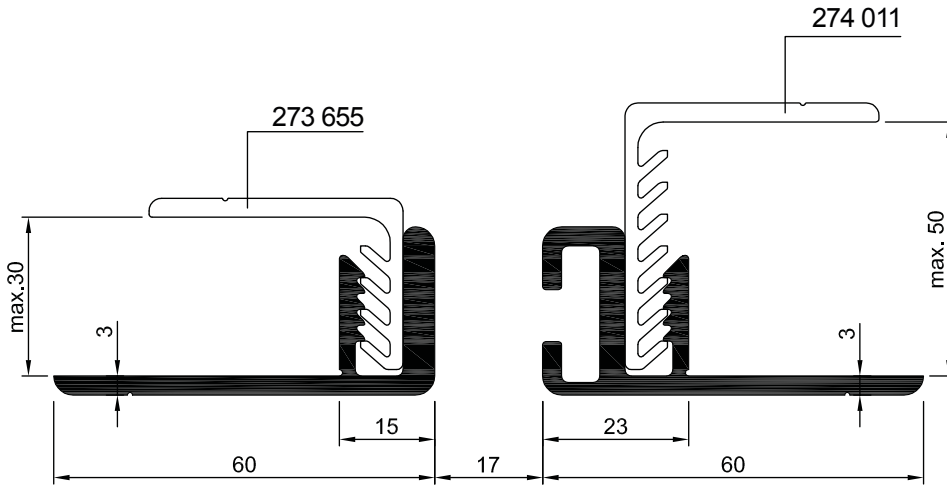
220 084



273 647



**425 137**  
1588 gr / m  
6.5 m brute



**425 081**  
937 gr / m  
6.5 m brute

**425 079**  
1031 gr / m  
6.5 m brute